

High function/High performance PID control

■ Features

● Upgrade functions(★)

★ Convenient parameter setting (by DAQMaster)

- Parameter mask

Hides unnecessary and seldom used parameters

- User parameter group

Groups usually used parameters to set parameters fast and conveniently

★ Line-up Alarm output3(heating&cooling OUT2 Relay output model), transmission output 2 (transmission output model)

- Super high-speed sampling cycle (10 times faster compared to previous models)
: 50ms sampling cycle and $\pm 0.3\%$ display-accuracy.
- Improved visibility with wide display part and high luminance LED
- High performance controlling with heating/cooling control and automatic/manual control modes.
- Communication function supported: RS485 (Modbus RTU)
- Allows parameter setting by USB port of PC.
: Free download the integrated device management program(DAQMaster)
×Communication converter, sold separately.
: SCM-WF48(Wi-Fi to RS485/USB communication converter, available soon), SCM-US(USB to Serial converter), SCM-38I(RS-232C to RS485 converter), SCM-US48I(USB to RS485 converter)
- SSR drive voltage output / Current output selectable.
- SSRP output (standard/phase/cycle control selectable)
- Heater burn-out alarm (CT input) (except TK4SP) (×CT, sold separately: CSTC-E80LN, CSTC-E200LN)
- Multi SV setting function (Max. 4) - selectable via digital input terminals.
- Mounting space saving with compact design.
: downsized by approx. 38%(60mm) in depth compared to previous models.
×Terminal cover, sold separately: R□A-COVER(except TK4N, TK4SP)
- Multi input / Multi range

Be sure that (★) marks are for upgraded functions.



⚠ Please read "Caution for your safety" in operation manual before using.



■ Manual

- Visit our website (www.autonics.com) to download user manual and communication manual.
- User manual describes for specifications and function, and communication manual describes for RS485 communication (Modbus RTU protocol) and parameter address map data.

■ Integrated device management program(DAQMaster)

- DAQMaster is a integrated device management program. It is available for parameter setting, monitoring, and user parameter group setting, parameter mask setting for only TK4 Series.
- Visit our website (www.autonics.com) to download user manual and integrated device management program.

< Computer specification for using software >

Item	Minimum requirements
System	IBM PC compatible computer with Intel Pentium III or above
Operating system	Microsoft Windows 98/NT/XP/Vista/7
Memory	256MB or more
Hard disk	More than 1GB of free hard disk space
VGA	1024×768 or higher resolution display
Others	RS-232 serial port(9-pin), USB port

< DAQMaster screen >



High Accuracy Standard PID Control

Ordering information

TK	4	S	1	4	R	R
OUT2 control output ^{※3}	Standard	N	None ※Select in case of standard control(Heating or Cooling)			
	Heating & Cooling	R	Relay output			
OUT1 control output ^{※2}	R	Relay output				
	S	SSRP output				
Power supply	C	Current output+SSR drive voltage output				
	4	100-240VAC 50/60Hz				
Option input/output ^{※1}	N	1	Standard	Alarm output1+CT input ^{※4}		
		Heating&Cooling	Alarm output2 ^{※5}			
	D	2	Standard	Alarm output1+Alarm output2		
		Heating&Cooling	Digital input(DI-1, DI-2)			
	R	Standard	Alarm output1+Transmission output			
		Heating&Cooling	Transmission output			
	T	Standard	Alarm output1+RS485 communication output			
		Heating&Cooling	RS485 communication output			
	SP	1	Alarm output1			
	S M W H L	1	Alarm output1			
2		Alarm output1+Alarm output2				
R		Alarm output1+Transmission output				
T		Alarm output1+RS485 communication output				
A		Alarm output1+Alarm output2+Transmission output				
B		Alarm output1+Alarm output2+RS485 communication output				
Size	N	DIN W48×H24mm				
	SP	DIN W48×H48mm(11pin plug type) ^{※6}				
	S	DIN W48×H48mm(Terminal block type)				
	M	DIN W72×H72mm				
	W	DIN W96×H48mm				
	L	DIN W96×H96mm				
Digit	4	9999(4digit)				
Item	TK	Temperature / Process Controller				

- ※1: In case of TK4N, TK4SP, option output may be limited due to number of terminals.
- ※2: In case of OUT1 control output, 'S' is able to SSR standard/cycle/phase control by SSRP voltage output as the voltage output model. 'C' is able to select one between current output or SSR drive(standard) voltage output.
- ※3: Select 'R' or 'C' type which has OUT2 control output to use heating&cooling control. Select 'N' type which does not have OUT2 control output to use standard control.
- ※4: (★) CT input of TK4N is available only for the standard model which has alarm output1.
- ※5: (★) The heating&cooling model of TK4N-1□□□ has only alarm output 2.
- ※6: Sockets for TK4SP (PG-11, PS-11) are sold separately.

(A)	Photo electric sensor
(B)	Fiber optic sensor
(C)	Door/Area sensor
(D)	Proximity sensor
(E)	Pressure sensor
(F)	Rotary encoder
(G)	Connector/Socket
(H)	Temp. controller
(I)	SSR/ Power controller
(J)	Counter
(K)	Timer
(L)	Panel meter
(M)	Tacho/ Speed/ Pulse meter
(N)	Display unit
(O)	Sensor controller
(P)	Switching mode power supply
(Q)	Stepper motor& Driver&Controller
(R)	Graphic/ Logic panel
(S)	Field network device
(T)	Software
(U)	Other

TK Series

■ Specifications

Series	TK4N(★)	TK4SP	TK4S	TK4M	TK4W	TK4H	TK4L
Power supply	100-240VAC 50/60Hz						
Allowable voltage range	90 to 110% of rated voltage						
Power consumption	Max. 6VA	Max. 8VA					
Display method	7 Segment (PV: red, SV: green), Other display part (green, yellow, red) LED method						
Character size	PV(W×H)	4.5×7.2mm	7.0×14.0mm	9.5×20.0mm	8.5×17.0mm	7.0×14.6mm	11.0×22.0mm
	SV(W×H)	3.5×5.8mm	5.0×10.0mm	7.5×15.0mm	6.0×12.0mm	6.0×12.0mm	7.0×14.0mm
Input type	RTD	JPt100Q, DPt100Q, DPt50Q, Cu100Q, Cu50Q, Nickel 120Q (6 types)					
	Thermocouple	K, J, E, T, L, N, U, R, S, B, C, G, PLII (13 types)					
	Analog	Voltage: 0-100mV, 0-5V, 1-5V, 0-10V (4 types) / Current: 0-20mA, 4-20mA (2 types)					
Display accuracy	RTD	• At room temperature(23°C±5°C): (PV ±0.3% or ±1°C, select the higher one) ±1digit *1 • Out of room temperature range: (PV ±0.5% or ±2°C, select the higher one) ±1digit ※In case of TK4SP Series, ±1°C will be added.					
	Thermocouple						
	Analog	• At room temperature(23°C±5°C): ±0.3% F.S. ±1digit, • Out of range of room temperature: ±0.5°C% F.S. ±1digit					
	CT input	±5% F.S. ±1digit					
Control output	Relay	OUT1, OUT2: 250VAC 3A 1a					
	SSR	11VDC±2V 20mA Max.					
	Current	DC4-20mA or DC0-20mA selectable (load 500Ω Max.)					
Alarm output	Relay	AL1, AL2 Relay: 250VAC 3A 1a ※TK4N AL2: 250VAC 0.5A 1a(Max.125VA), TK4SP has only AL1.					
	Transmission	DC4-20mA (load 500Ω Max., Accuracy: ±0.3% F.S.)					
Option output	Communication	RS485 communication output (Modbus RTU)					
Option input	CT input	0.0-50.0A(primary heater current value measuring range) ※CT ratio = 1/1000 (except TK4SP)					
	Digital input	• Contact Input: ON - Max. 2kΩ, OFF - Min. 90kΩ • Non-contact Input: ON - Residual votage max. 1.0V, OFF - Leakage current max. 0.1mA • Outflow current: Approx. 0.5mA ※TK4S/M-1EA(Due to limited terminals), TK4N/H/W/L-2EA(except TK4SP)					
Control type	Heating,cooling	ON/OFF, P, PI, PD, PID control					
	Heating&cooling						
Hysteresis	• Thermocouples / RTD: 1 to 100°C/°F (0.1 to 100.0°C/°F) variable • Analog: 1 to 100digit						
Proportional band (P)	0.1 to 999.9°C/°F (0.1 to 999.9%)						
Integral time (I)	0 to 9999 sec.						
Derivative time (D)	0 to 9999 sec.						
Control period (T)	0.1 to 120.0 sec.(※relay output and SSR drive output only)						
Manual reset value	0.0 to 100.0%						
Sampling period	50ms						
Dielectric strength	2,000VAC 50/60Hz for 1min. (between power source terminal and input terminal)						
Vibration	0.75mm amplitude at frequency of 5 to 55Hz(for 1min.) in each of X, Y, Z direction for 2 hours						
Relay life cycle	Mechanical	OUT1/2: Over 5,000,000 times, AL1/2: Over 20,000,000 times (TK4H/W/L: Over 5,000,000 times)					
	Electrical	OUT1/2: Over 200,000 times, AL1/2: Over 100,000 times (TK4H/W/L: Over 200,000 times)					
Insulation resistance	Min. 100MΩ (at 500VDC megger)						
Noise resistance	±2kV R-phase, S-phase the square wave noise (pulse width: 1us) by the noise simulator						
Memory retention	Approx. 10 years (when using non-volatile semiconductor memory type)						
Environment	Ambient temperature	-10 to 50°C, storage: -20 to 60°C					
	Ambient humidity	35 to 85%RH, storage: 35 to 85%RH					
Protection	IP65 (Front panel) ※TK4SP: IP50 (Front panel)						
Insulation type	Double insulation or reinforced insulation (Mark: □), Dielectric strength between the measuring input part and the power part: 2kV)						
Approval	CE cRU _{us}						
Weight*2	Approx. 140g (Approx. 70g)	Approx. 130g (Approx. 85g)	Approx. 150g (Approx. 105g)	Approx. 210g (Approx. 140g)	Approx. 211g(Approx. 141g)	Approx. 294g (Approx. 198g)	

*1: ◎ At room temperature(23°C±5°C)

- Thermocouple K, J, T, N, E type, below -100°C / Thermocouple L, U, PLII type, RTD(★) Cu50Q, DPt50Q : (PV ±0.3% or ±2°C, select the higher one) ±1digit
- Thermocouple C, G, R, S type, below 200°C: (PV ±0.3% or ±3°C, select the higher one) ±1digit
- Thermocouple B type, below 400°C: There is no accuracy standards.
- ◎ Out of room temperature range
 - RTD Cu50Q, DPt50Q: (PV ±0.5% or ±3°C, select the higher one) ±1digit
 - Thermocouple R, S, B, C, G type: (PV ±0.5% or ±5°C, select the higher one) ±1digit
 - Others, Below -100°C: Within ±5°C

In case of TK4SP Series, ±1°C will be added to the degree standard.

*2: The weight is with packaging and the weight in parentheses is only unit weight.

※Environment resistance is rated at no freezing or condensation.

High Accuracy Standard PID Control

Connections

※Please check the polarity when connecting temperature sensor or analog input.

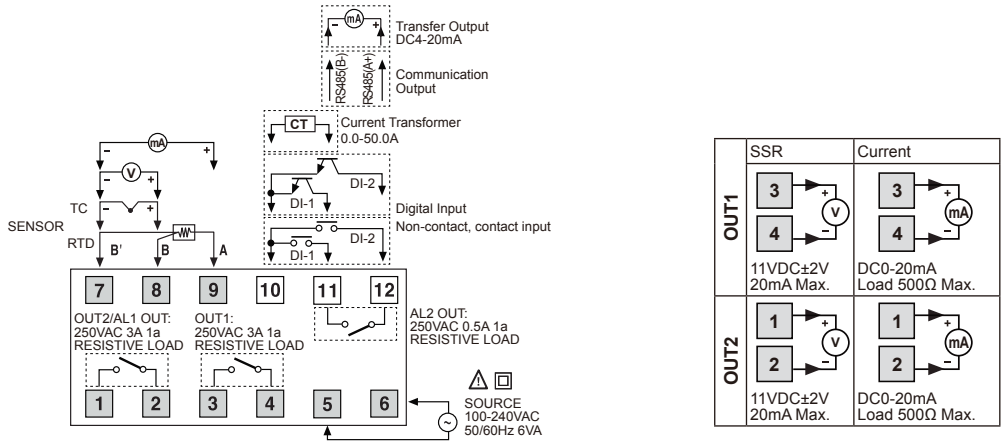
※Standard model has shaded terminals only.

(★)Operation mode of heating&cooling OUT2 relay output model is heating or cooling, OUT2 is available as alarm output 3. (except TK4N Series).

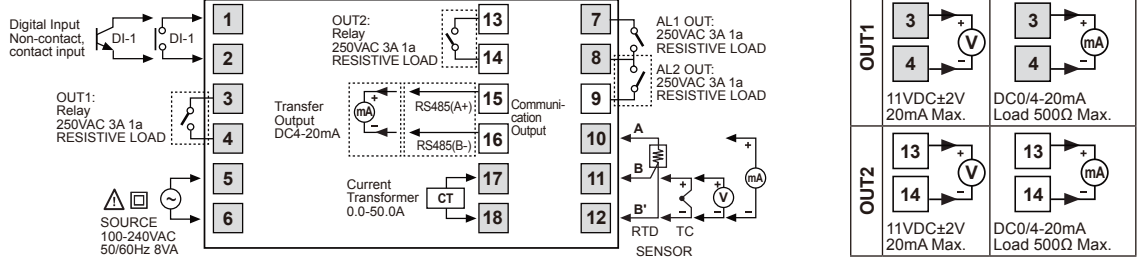
(★)Operation mode of heating&cooling OUT2 current output model is heating or cooling, OUT2 is available as transmission output 2.

TK4N

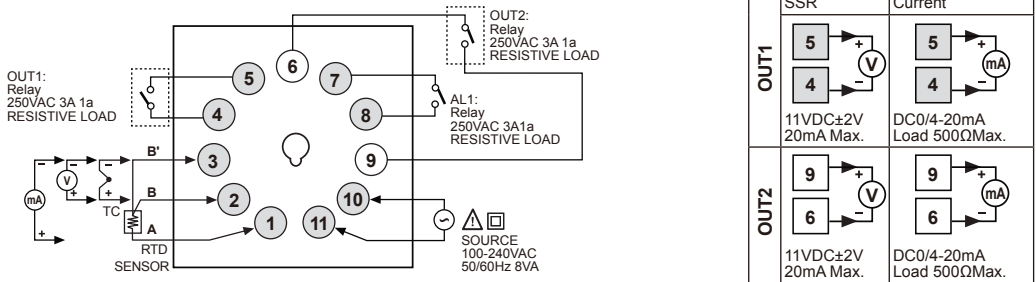
Line-up



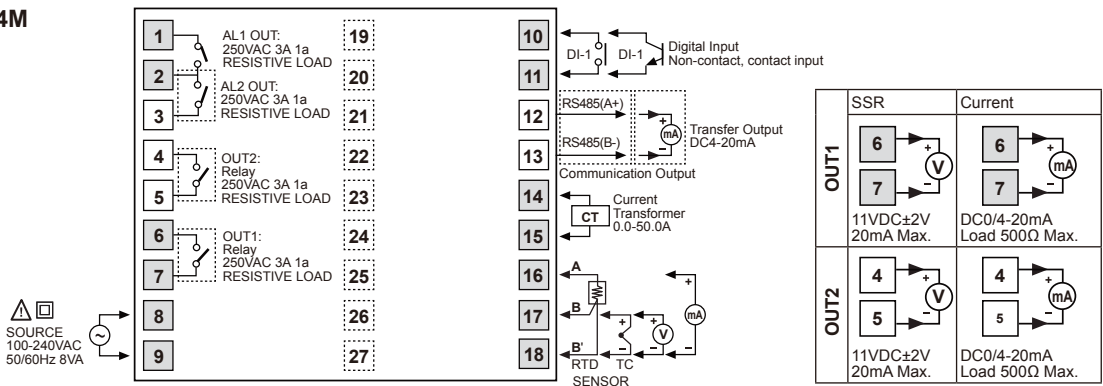
TK4S



TK4SP



TK4M



(A) Photo electric sensor

(B) Fiber optic sensor

(C) Door/Area sensor

(D) Proximity sensor

(E) Pressure sensor

(F) Rotary encoder

(G) Connector/Socket

(H) Temp. controller

(I) SSR/Power controller

(J) Counter

(K) Timer

(L) Panel meter

(M) Tacho/Speed/Pulse meter

(N) Display unit

(O) Sensor controller

(P) Switching mode power supply

(Q) Stepper motor& Driver&Controller

(R) Graphic/Logic panel

(S) Field network device

(T) Software

(U) Other

TK Series

■ Connections

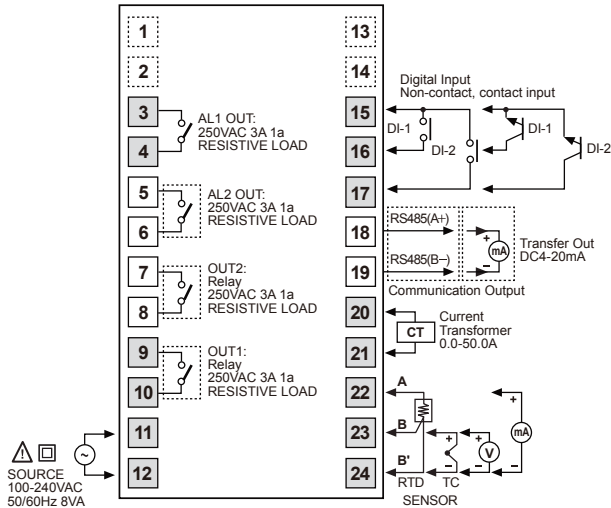
※Please check the polarity when connecting temperature sensor or analog input.

※Standard model has shaded terminals only.

(★)Operation mode of heating&cooling OUT2 relay output model is heating or cooling, OUT2 is available as alarm output 3. (except TK4N Series).

(★)Operation mode of heating&cooling OUT2 current output model is heating or cooling, OUT2 is available as transmission output 2.

● TK4H / TK4W / TK4L



※Digital input is not electrically insulated from internal circuits, so it should be insulated when connecting other circuits. (Photocoupler, Relay, Independent switch)

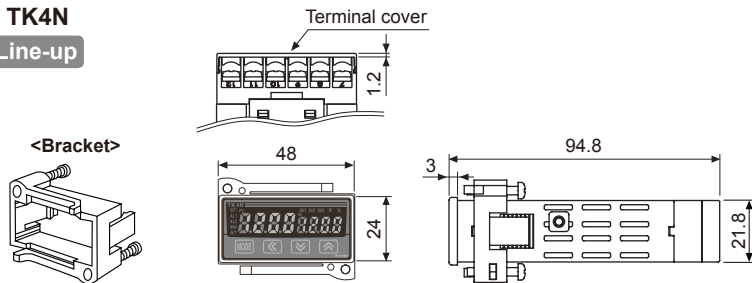
	SSR	Current
OUT1	<p>11VDC±2V 20mA Max.</p>	<p>DC0/4-20mA Load 500Ω Max.</p>
OUT2	<p>11VDC±2V 20mA Max.</p>	<p>DC0/4-20mA Load 500Ω Max.</p>

■ Dimensions

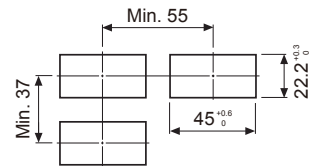
(unit: mm)

● TK4N

Line-up

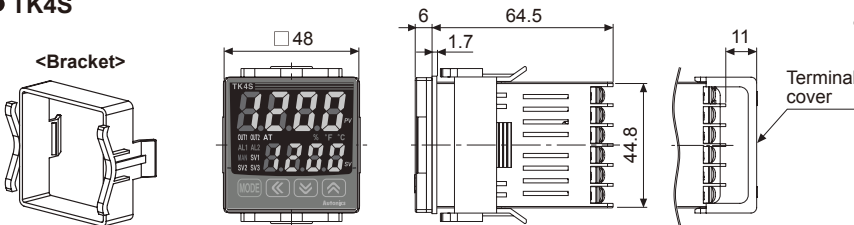


● Panel cut-out

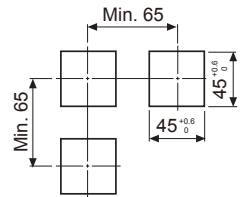


● TK4S

<Bracket>

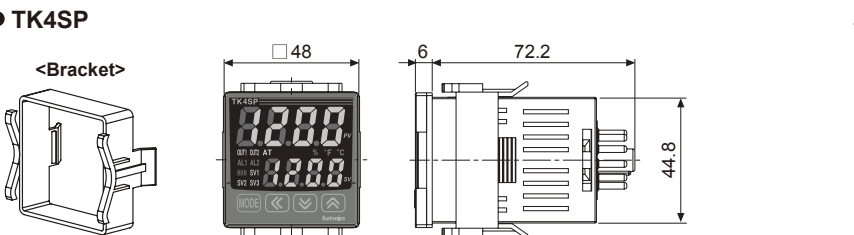


● Panel cut-out

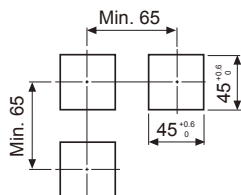


● TK4SP

<Bracket>



● Panel cut-out



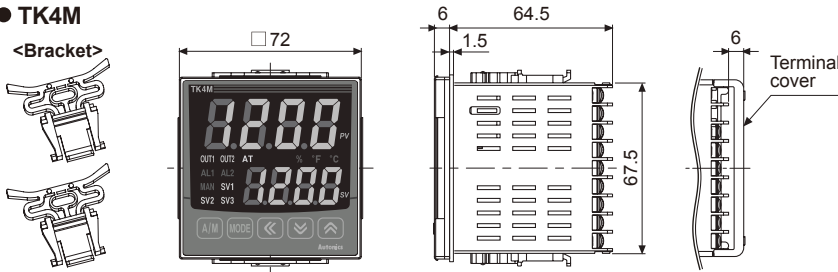
High Accuracy Standard PID Control

Dimensions

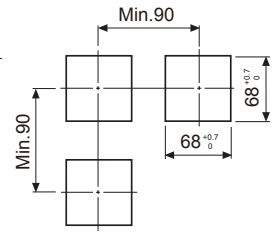
(unit: mm)

TK4M

<Bracket>

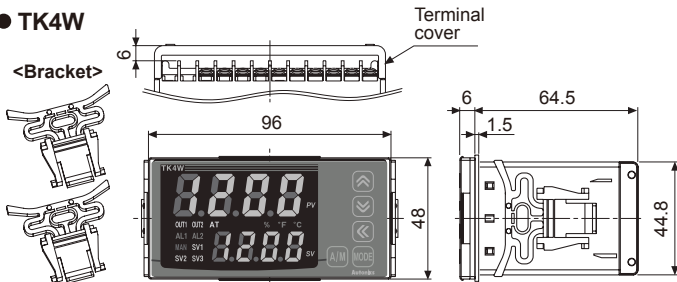


Panel cut-out

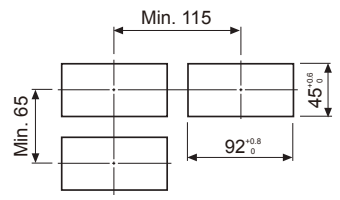


TK4W

<Bracket>

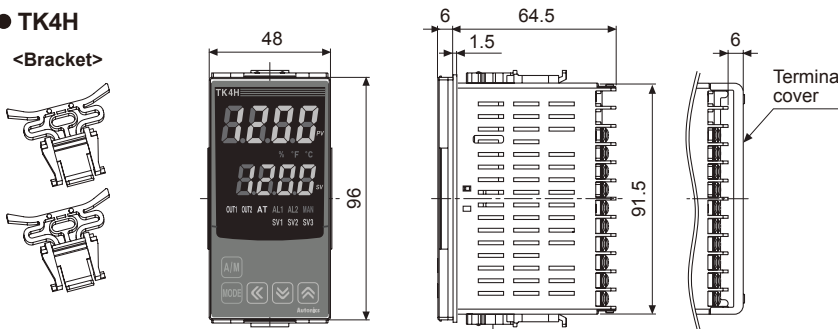


Panel cut-out

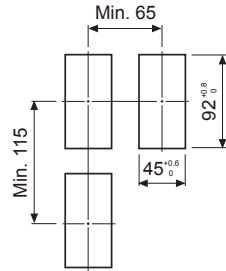


TK4H

<Bracket>

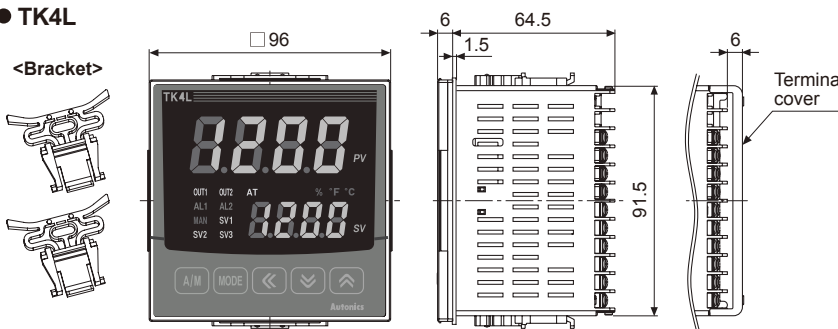


Panel cut-out

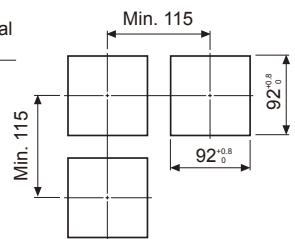


TK4L

<Bracket>



Panel cut-out



Terminal cover(sold separately)

TK4N-COVER (48×24mm)

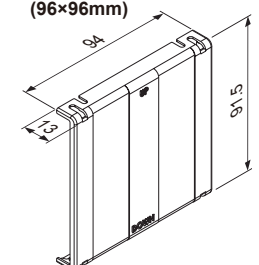
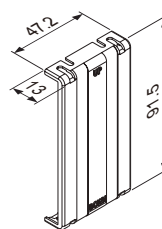
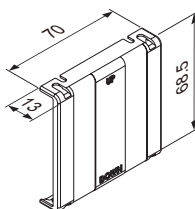
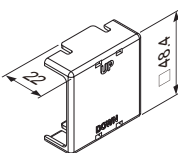
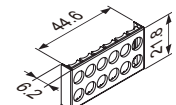
RSA-COVER (48×48mm)

RMA-COVER (72×72mm)

RHA-COVER (48×96mm, 96×48mm)

RLA-COVER (96×96mm)

Line-up



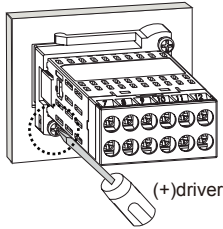
※TK4N cover is provided as an accessory.

(A)	Photo electric sensor
(B)	Fiber optic sensor
(C)	Door/Area sensor
(D)	Proximity sensor
(E)	Pressure sensor
(F)	Rotary encoder
(G)	Connector/Socket
(H)	Temp. controller
(I)	SSR/ Power controller
(J)	Counter
(K)	Timer
(L)	Panel meter
(M)	Tacho/ Speed/ Pulse meter
(N)	Display unit
(O)	Sensor controller
(P)	Switching mode power supply
(Q)	Stepper motor& Driver&Controller
(R)	Graphic/ Logic panel
(S)	Field network device
(T)	Software
(U)	Other

TK Series

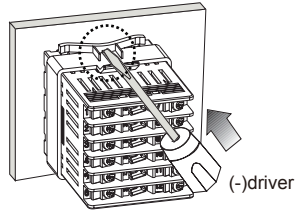
Product mounting

TK4N(48×24mm) Series



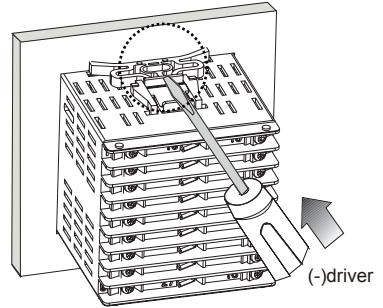
※Insert the unit into a panel, fasten the bolt with a (+) driver.

TK4S/SP(48×48mm) Series



※Insert the unit into a panel, fasten the bracket by pushing with tools with a (-) driver.

Other Series



Sold separately

Communication converter

SCM-WF48 (available soon) (Wi-Fi to RS485/USB communication converter)

CE (pending)



SCM-38I (RS232C to RS485 converter)

CE



SCM-US48I (USB to RS485 converter)

CE



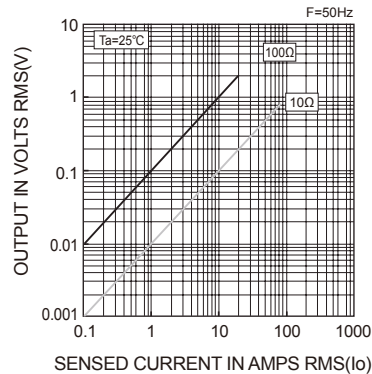
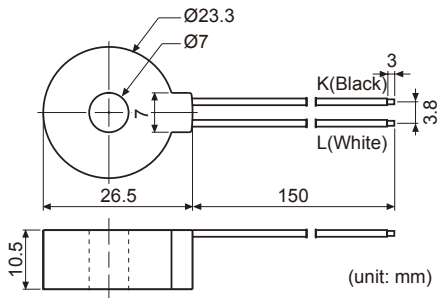
SCM-US (USB to Serial converter)

CE



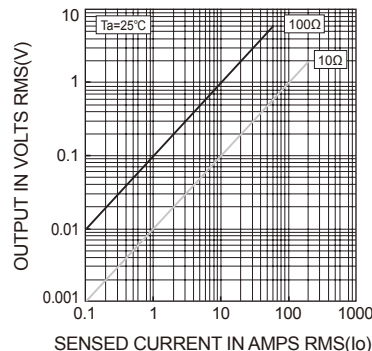
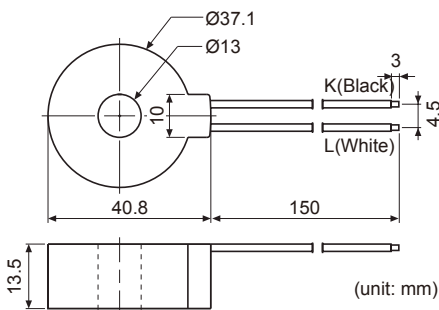
Current transformer(CT)

CSTC-E80LN



- Max. load current: 80A(50/60Hz)
- ※Max. load current for TK4 Series is 50A.
- Current ratio: 1/1000
- Wire wounded resistance: 31Ω±10%

CSTC-E200LN



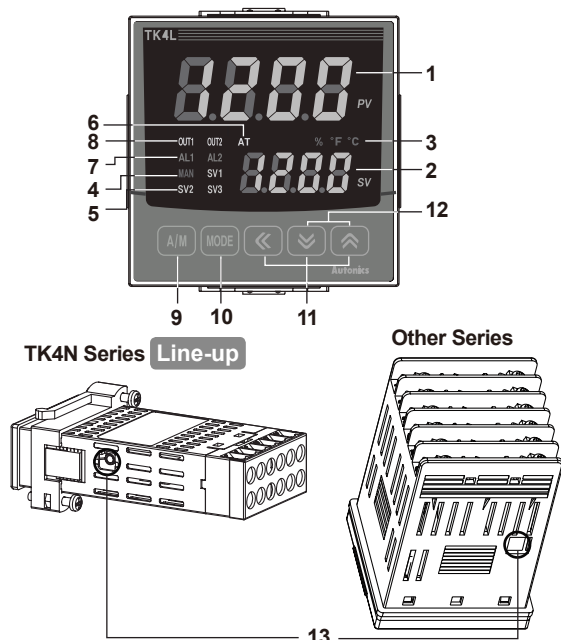
- Max. load current: 200A(50/60Hz)
- ※Max. load current for TK4 Series is 50A.
- Current ratio: 1/1000
- Wire wounded resistance: 20Ω±10%

※Do not supply primary current in case that CT output is open. High voltage will be generated in CT output.

※The current for above two CTs is 50A same but inner hole sizes are different. Please use this for your environment.

High Accuracy Standard PID Control

Parts description

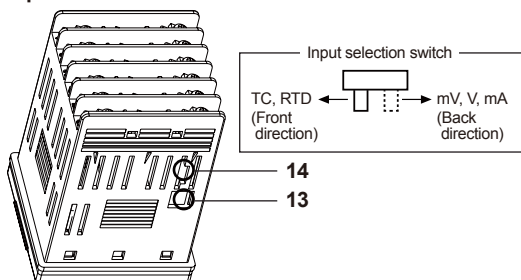


TK4N Series Line-up

Other Series

※The input selection switch (TC, RTD/mV, V, mA) switch disappears. Select input type [I n t] in parameter 3 group.

The previous model



1. Measured value(PV) display part:

- RUN mode: It displays currently measured value (PV).
- Setting mode: It displays the parameter.

2. Set value (SV) display part:

- RUN mode: It displays the set value (SV).
- Setting mode: It displays the set value of the parameter.

3. Unit(°C / °F / %) Indicator: It displays the unit set at display unit [U n t] in parameter 3 group.

4. Manual control indicator: It turns ON during manual controlling.

5. Multi SV Indicator: One of SV1 to 3 lamp will be ON in case of selecting multi SV function.

6. Auto tuning indicator: It flashes by 1 sec. when executing auto tuning.

7. Alarm output (AL1, AL2) indicator: It turns ON when the alarm output is ON.

8. Control output (OUT1, OUT2) indicator: It turns ON when the control output is ON.

※During cycle/phase controlling in SSRP output type, when MV is over 5.0%, it turns ON.

※To use current output, when MV is 0.0% in manual control, it turns OFF. Otherwise, it always turns ON. When MV is over 3.0% in auto control, it turns ON and when MV is below 2.0%, it turns OFF.

9. A/M key: It is used when switching auto control to manual control.

※TK4N/S/SP do not have A/M key. MODE key operates switching simultaneously.

10. MODE key: It is used when entering parameter setting group, returning to RUN mode, moving parameter, saving the set value.

11. [Left], [Down], [Up] key: It is used when entering the set value changing mode and moving or changing up/down digit.

12. Digital input key: When pressing [Down] + [Up] keys for 3 sec. at the same time, it operates the function(RUN/STOP, alarm clear, auto tuning) set at digital input key [d i - t] in parameter 5 group.

13. PC loader port: It is the PC loader port for serial communication to set parameter and monitoring by DAQMaster installed in PC. Use this for connecting SCM-US(USB to Serial converter, sold separately).

14. Input selection switch: Used when switching sensor(TC, RTD) input ↔ analog input(mV, V, mA).(only the previous model)

SV setting

You can set the temperature to control with [Left], [Down], [Up] keys.

Set range is within SV low-limit value [L - 5U] to SV high-limit value [H - 5U].

Ex) In case of changing set temperature from 210°C to 250°C

1 Press any key among [Left], [Down], [Up] key in RUN mode, the right digit at SV display flashes and it enters to SV setting.

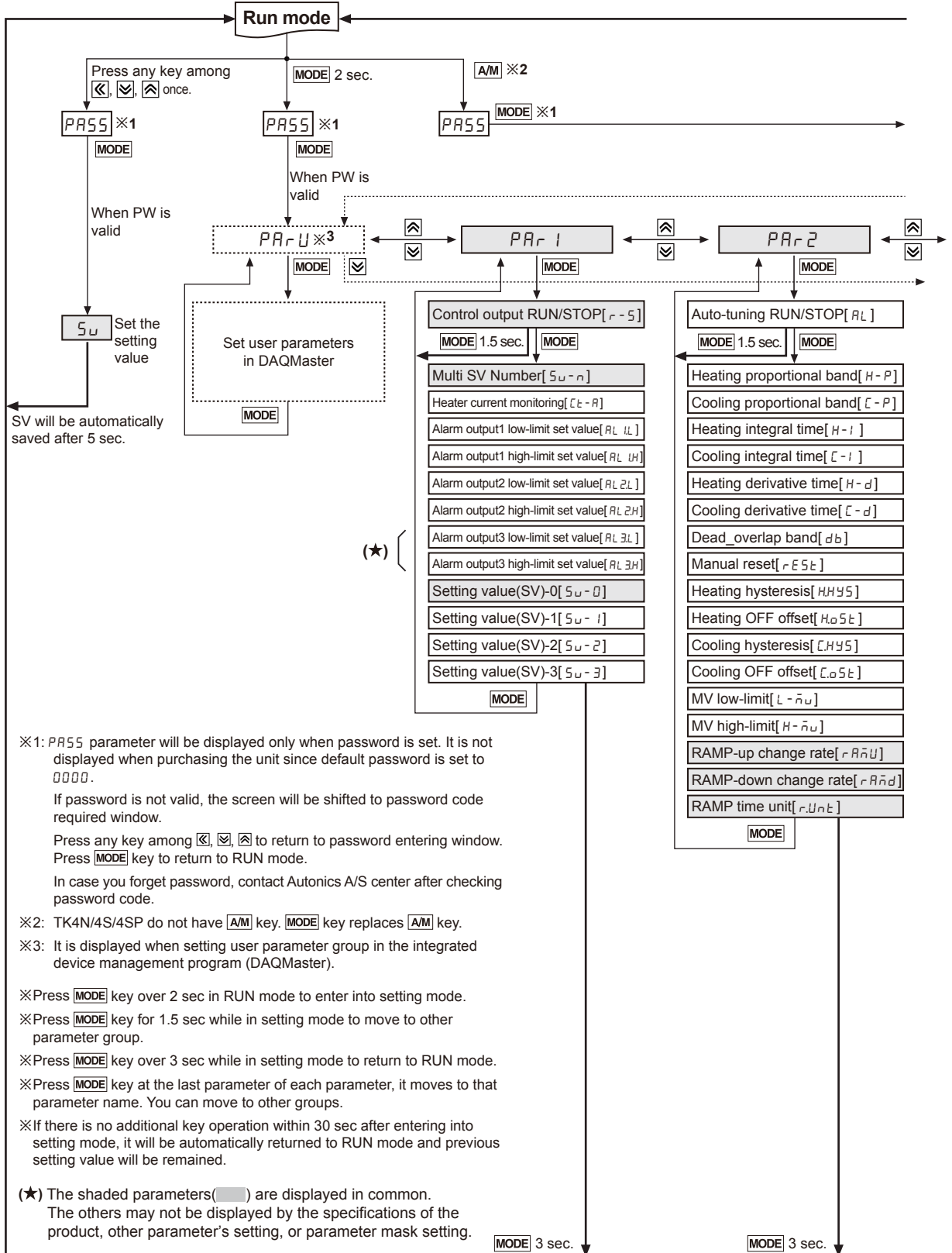
2 Press [Left] key to move the desired digit. (10⁰→10¹→10²→10³→10⁰)

3 Press [Down] or [Up] key to move the desired number (1 → 5).

4 Press [MODE] key to save the value and it controls with this set value. (even though there is no key input for over 3 sec., it saves automatically.)

(A)	Photo electric sensor
(B)	Fiber optic sensor
(C)	Door/Area sensor
(D)	Proximity sensor
(E)	Pressure sensor
(F)	Rotary encoder
(G)	Connector/Socket
(H)	Temp. controller
(I)	SSR/ Power controller
(J)	Counter
(K)	Timer
(L)	Panel meter
(M)	Tacho/ Speed/ Pulse meter
(N)	Display unit
(O)	Sensor controller
(P)	Switching mode power supply
(Q)	Stepper motor& Driver&Controller
(R)	Graphic/ Logic panel
(S)	Field network device
(T)	Software
(U)	Other

Parameter group



※1: $PASS$ parameter will be displayed only when password is set. It is not displayed when purchasing the unit since default password is set to 0000.

If password is not valid, the screen will be shifted to password code required window.

Press any key among \leftarrow , \rightarrow , \uparrow to return to password entering window. Press $MODE$ key to return to RUN mode.

In case you forget password, contact Autonics A/S center after checking password code.

※2: TK4N/4S/4SP do not have AM key. $MODE$ key replaces AM key.

※3: It is displayed when setting user parameter group in the integrated device management program (DAQMaster).

※Press $MODE$ key over 2 sec in RUN mode to enter into setting mode.

※Press $MODE$ key for 1.5 sec while in setting mode to move to other parameter group.

※Press $MODE$ key over 3 sec while in setting mode to return to RUN mode.

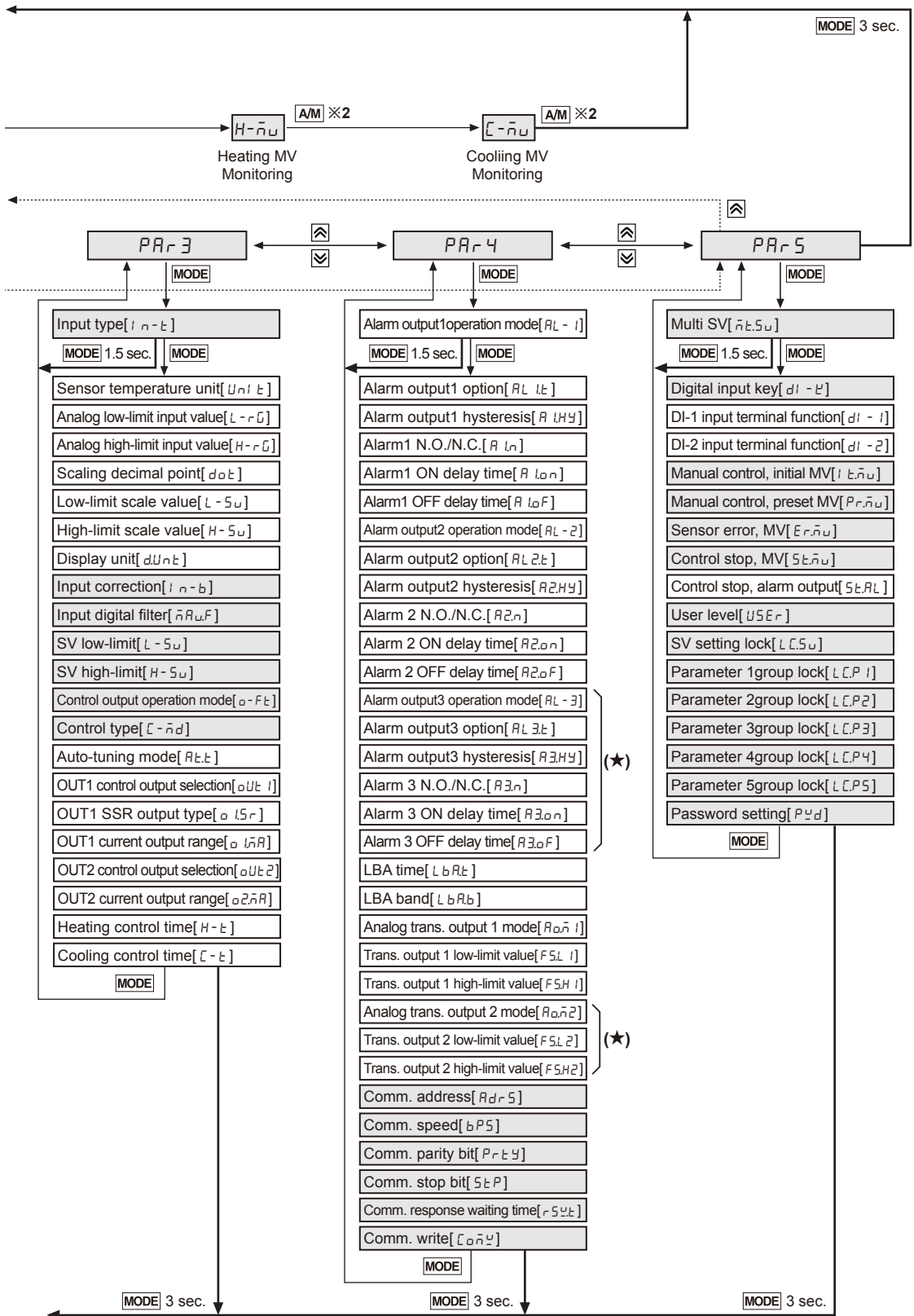
※Press $MODE$ key at the last parameter of each parameter, it moves to that parameter name. You can move to other groups.

※If there is no additional key operation within 30 sec after entering into setting mode, it will be automatically returned to RUN mode and previous setting value will be remained.

(★) The shaded parameters() are displayed in common.

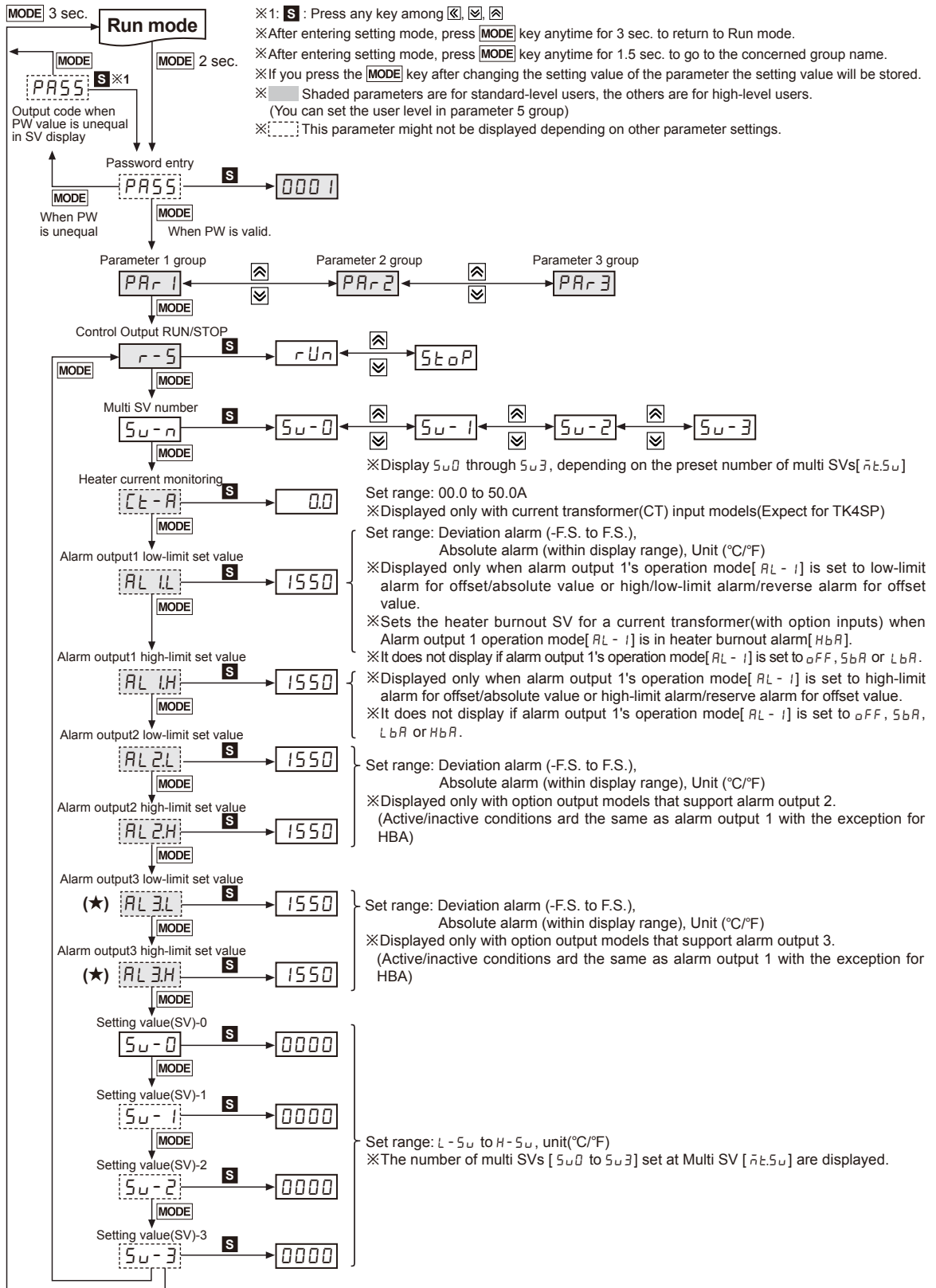
The others may not be displayed by the specifications of the product, other parameter's setting, or parameter mask setting.

High Accuracy Standard PID Control



- (A) Photo electric sensor
- (B) Fiber optic sensor
- (C) Door/Area sensor
- (D) Proximity sensor
- (E) Pressure sensor
- (F) Rotary encoder
- (G) Connector/ Socket
- (H) Temp. controller
- (I) SSR/ Power controller
- (J) Counter
- (K) Timer
- (L) Panel meter
- (M) Tacho/ Speed/ Pulse meter
- (N) Display unit
- (O) Sensor controller
- (P) Switching mode power supply
- (Q) Stepper motor& Driver&Controller
- (R) Graphic/ Logic panel
- (S) Field network device
- (T) Software
- (U) Other

Parameter 1 group



High Accuracy Standard PID Control

Parameter 2 group

※1: **S** : Press any key among $\left[\leftarrow \right]$, $\left[\rightarrow \right]$, $\left[\uparrow \right]$, $\left[\downarrow \right]$

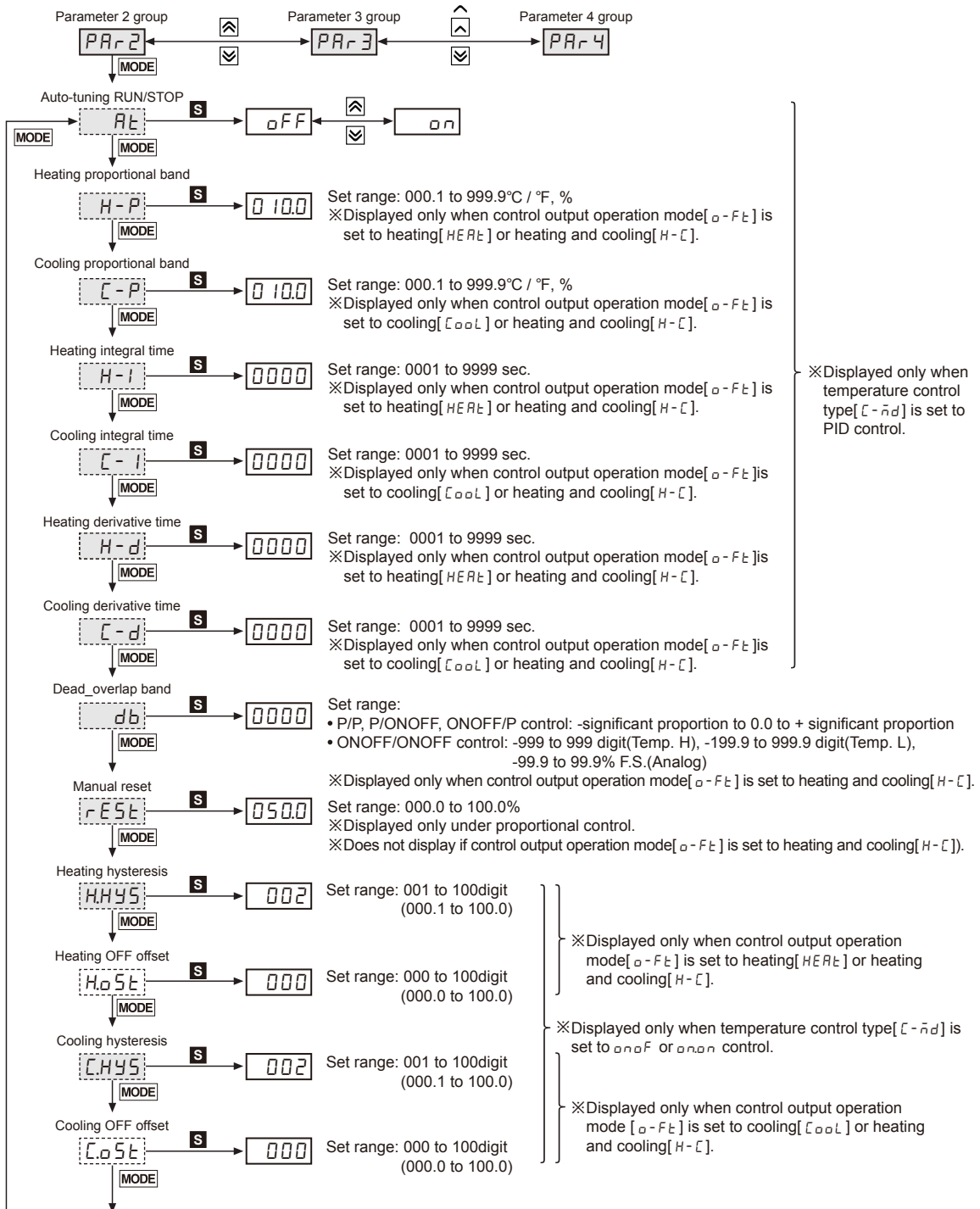
※After entering setting mode, press **MODE** key anytime for 3 sec. to return to Run mode.

※After entering setting mode, press **MODE** key anytime for 1.5 sec. to go to the concerned group name.

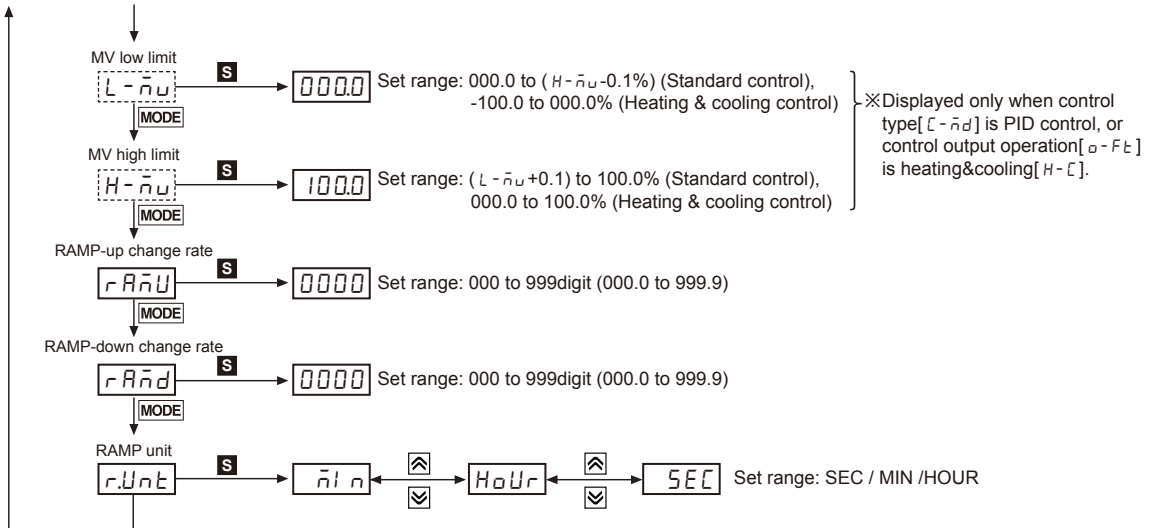
※If you press the **MODE** key after changing the setting value of the parameter the setting value will be stored.

※ Shaded parameters are for standard-level users, the others are for high-level users.
(You can set the user level in parameter 5 group)

※: []: This parameter might not be displayed depending on other parameter settings.

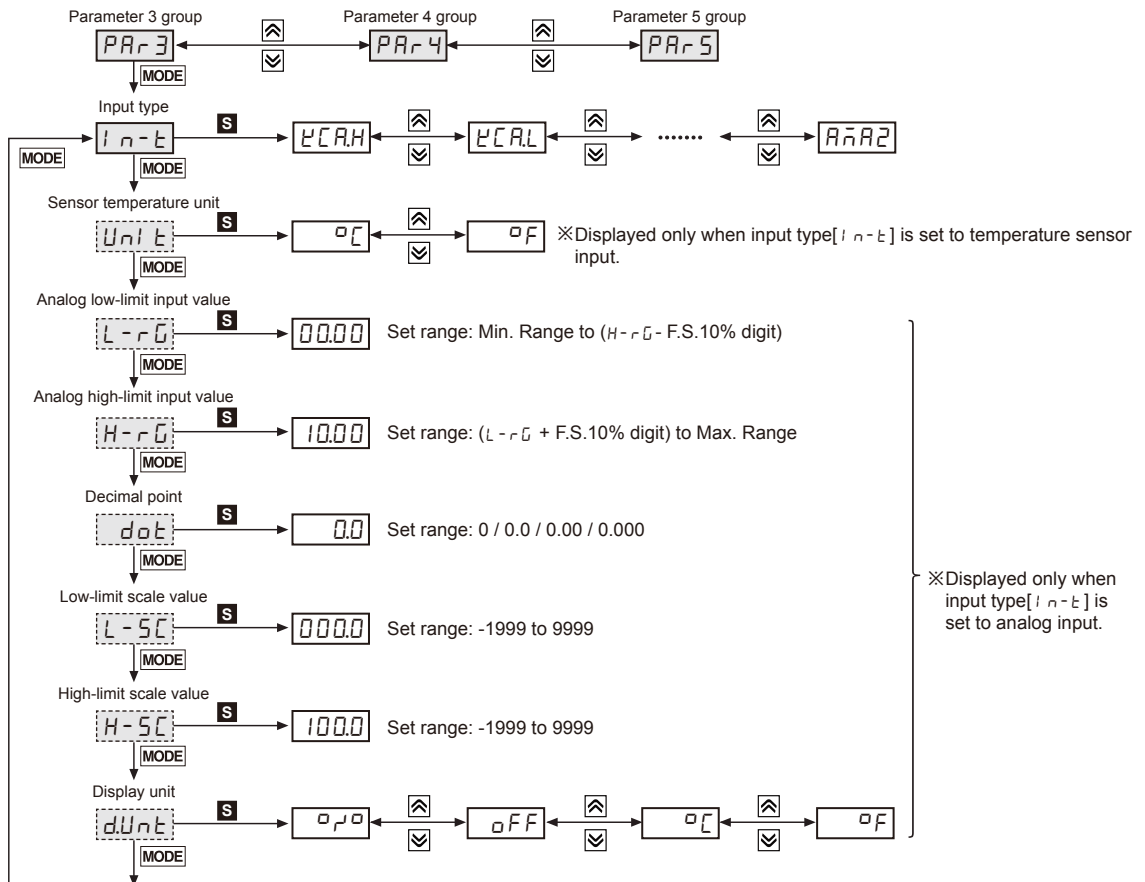


(A)	Photo electric sensor
(B)	Fiber optic sensor
(C)	Door/Area sensor
(D)	Proximity sensor
(E)	Pressure sensor
(F)	Rotary encoder
(G)	Connector/Socket
(H)	Temp. controller
(I)	SSR/ Power controller
(J)	Counter
(K)	Timer
(L)	Panel meter
(M)	Tacho/ Speed/ Pulse meter
(N)	Display unit
(O)	Sensor controller
(P)	Switching mode power supply
(Q)	Stepper motor& Driver&Controller
(R)	Graphic/ Logic panel
(S)	Field network device
(T)	Software
(U)	Other

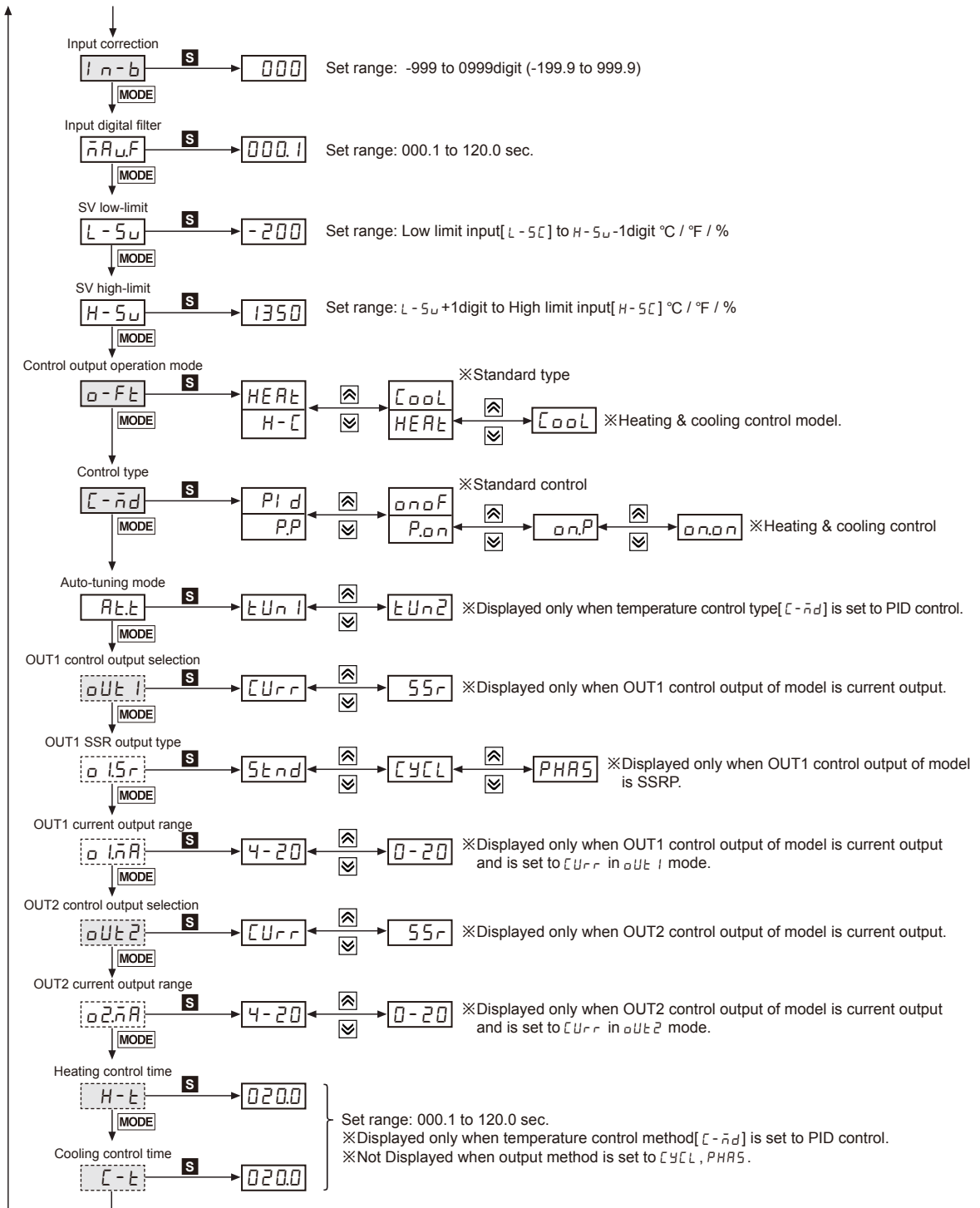


Parameter 3 group

- ※1: [S]: Press any key among [Left], [Down], [Up]
- ※After entering setting mode, press [MODE] key anytime for 3 sec. to return to Run mode.
- ※After entering setting mode, press [MODE] key anytime for 1.5 sec. to go to the concerned group name.
- ※If you press the [MODE] key after changing the setting value of the parameter the setting value will be stored.
- ※ [Shaded] Shaded parameters are for standard-level users, the others are for high-level users. (You can set the user level in parameter 5 group)
- ※ [Dotted] This parameter might not be displayed depending on other parameter settings.



High Accuracy Standard PID Control








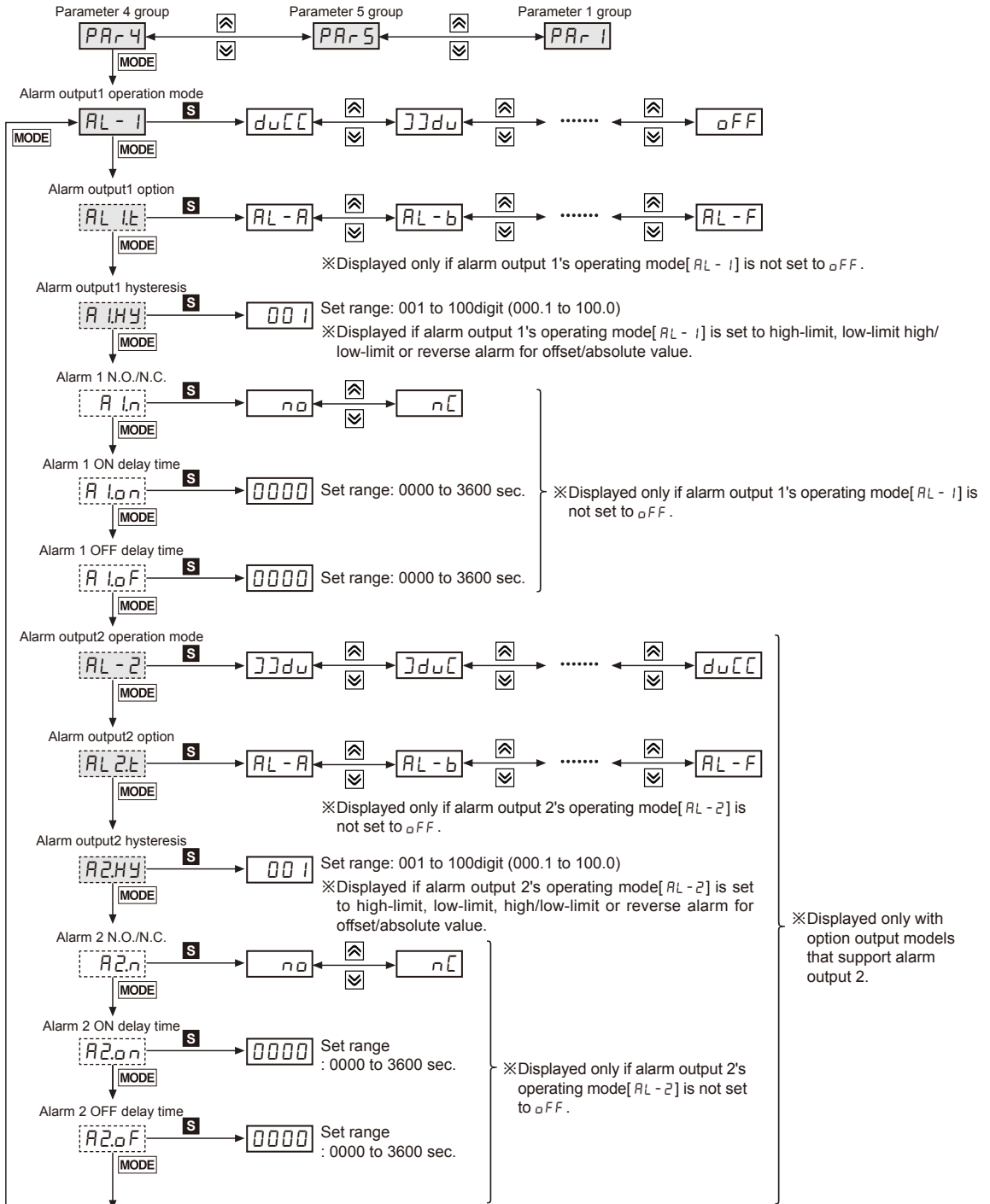
※OUT1, OUT2 output:

- In case that OUT1,OUT2 output is relay output type, oUt1, o1Sr, o1nA, oUt2, o2Sr, o2nA parameter are not displayed.
- In case that OUT1,OUT2 output is CUR + SSR output type, when OUT1,OUT2 output is set to SSR.
 - Output method of o1Sr, o2Sr is held in Stnd and parameter is not displayed.
- In case that OUT1, output is SSRP output type and OUT2 output is SUR + SSR
 - oUt1, o1nA are not displayed.
 - o1Sr can set to Stnd, CYCL, PHAS
 - When o2Sr is set to SSR it is held in Stnd and parameter is not displayed.

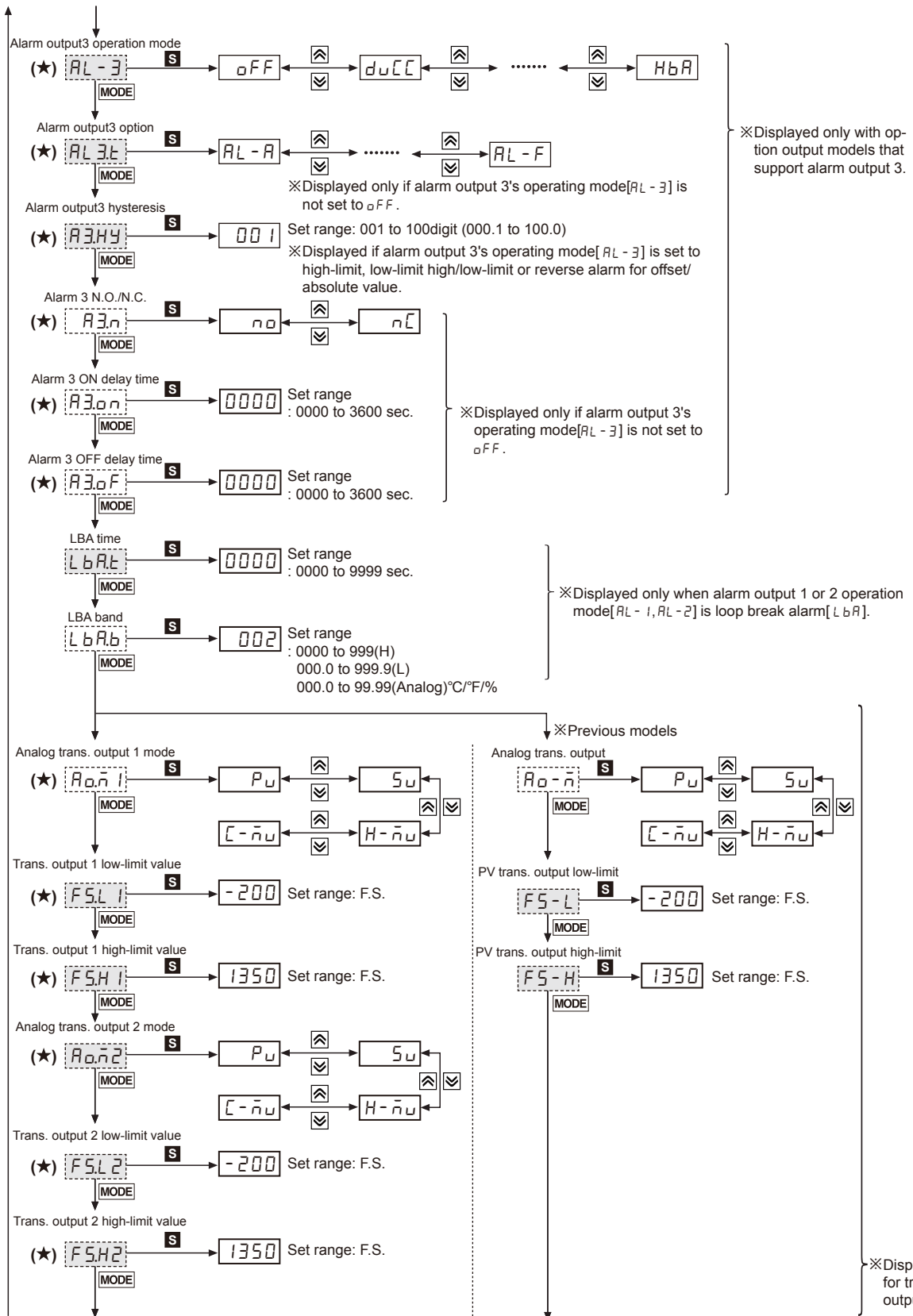
(A)	Photo electric sensor
(B)	Fiber optic sensor
(C)	Door/Area sensor
(D)	Proximity sensor
(E)	Pressure sensor
(F)	Rotary encoder
(G)	Connector/Socket
(H)	Temp. controller
(I)	SSR/ Power controller
(J)	Counter
(K)	Timer
(L)	Panel meter
(M)	Tacho/ Speed/ Pulse meter
(N)	Display unit
(O)	Sensor controller
(P)	Switching mode power supply
(Q)	Stepper motor& Driver&Controller
(R)	Graphic/ Logic panel
(S)	Field network device
(T)	Software
(U)	Other

Parameter 4 group

- ※1: **S** : Press any key among , , 
- ※After entering setting mode, press **MODE** key anytime for 3 sec. to return to Run mode.
- ※After entering setting mode, press **MODE** key anytime for 1.5 sec. to go to the concerned group name.
- ※If you press the **MODE** key after changing the setting value of the parameter the setting value will be stored.
- ※  Shaded parameters are for standard-level users, the others are for high-level users.
(You can set the user level in parameter 5 group)
- ※  This parameter might not be displayed depending on other parameter settings.

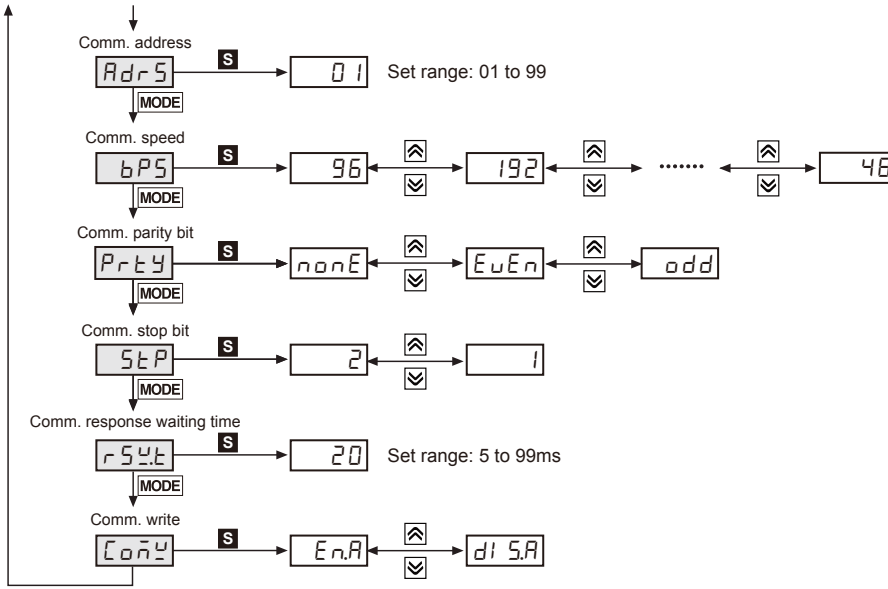


High Accuracy Standard PID Control



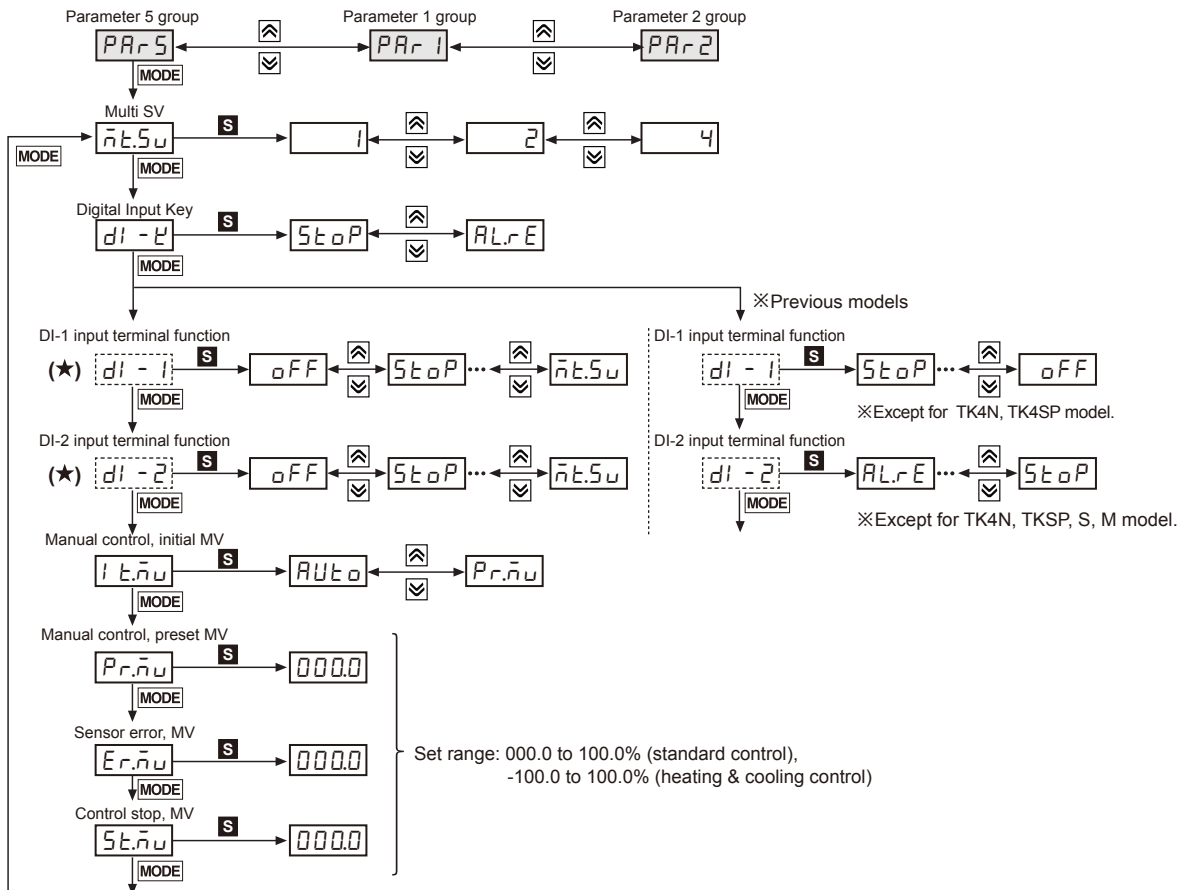
(A)	Photo electric sensor
(B)	Fiber optic sensor
(C)	Door/Area sensor
(D)	Proximity sensor
(E)	Pressure sensor
(F)	Rotary encoder
(G)	Connector/Socket
(H)	Temp. controller
(I)	SSR/Power controller
(J)	Counter
(K)	Timer
(L)	Panel meter
(M)	Tacho/Speed/Pulse meter
(N)	Display unit
(O)	Sensor controller
(P)	Switching mode power supply
(Q)	Stepper motor& Driver&Controller
(R)	Graphic/Logic panel
(S)	Field network device
(T)	Software
(U)	Other

TK Series

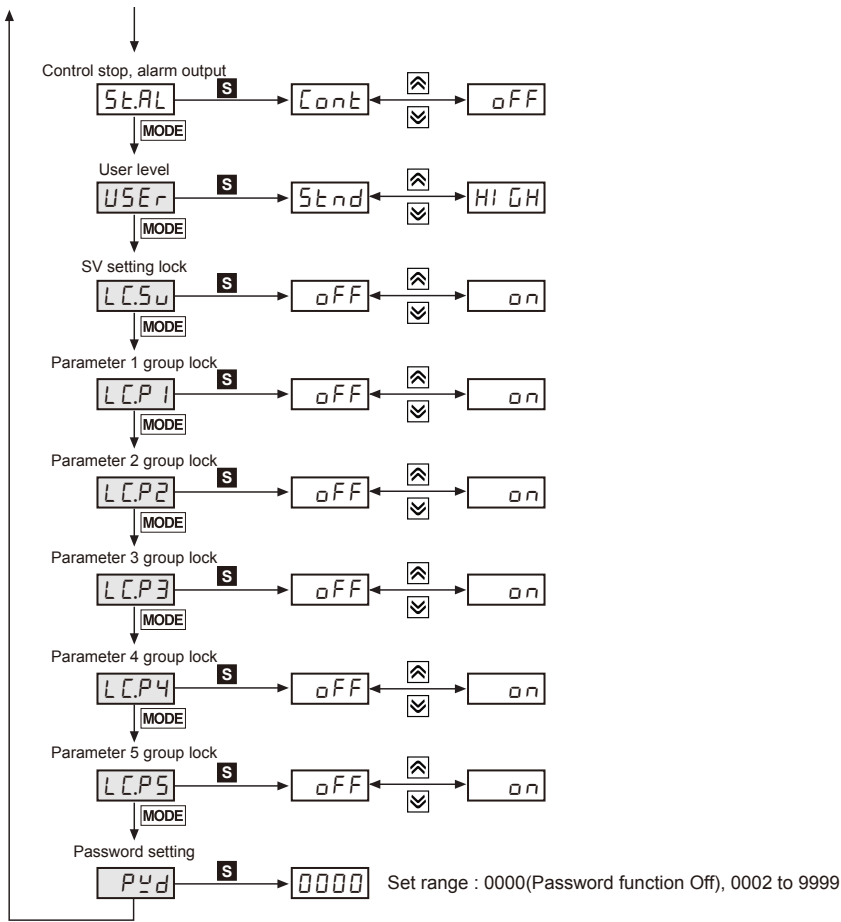


Parameter 5 group

- ※1: **S**: Press any key among \leftarrow , \rightarrow , \uparrow , \downarrow
- ※After entering setting mode, press **MODE** key anytime for 3 sec. to return to Run mode.
- ※After entering setting mode, press **MODE** key anytime for 1.5 sec. to go to the concerned group name.
- ※If you press the **MODE** key after changing the setting value of the parameter the setting value will be stored.
- ※ Shaded parameters are for standard-level users, the others are for high-level users.
- (You can set the user level in parameter 5 group)
- ※: This parameter might not be displayed depending on other parameter settings.



High Accuracy Standard PID Control



Parameter Initialization

Press , , to initialize all parameters in memory to default value.

Set *init* parameter to *YES* to initialize all parameters.

In case password function is on, it is required to enter valid password to initialize parameters.

Password is also initialized.

(A)	Photo electric sensor
(B)	Fiber optic sensor
(C)	Door/Area sensor
(D)	Proximity sensor
(E)	Pressure sensor
(F)	Rotary encoder
(G)	Connector/Socket
(H)	Temp. controller
(I)	SSR/ Power controller
(J)	Counter
(K)	Timer
(L)	Panel meter
(M)	Tacho/ Speed/ Pulse meter
(N)	Display unit
(O)	Sensor controller
(P)	Switching mode power supply
(Q)	Stepper motor& Driver&Controller
(R)	Graphic/ Logic panel
(S)	Field network device
(T)	Software
(U)	Other

TK Series

Input type and range

Input type		Decimal point	Display	Input range(°C)	Input range(°F)
Thermocouple	K(CA)	1	℄℄R.H	-200 to 1350	-328 to 2463
		0.1	℄℄R.L	-199.9 to 999.9	-199.9 to 999.9
	J(IC)	1	J℄℄.H	-200 to 800	-328 to 1472
		0.1	J℄℄.L	-199.9 to 800.0	-199.9 to 999.9
	E(CR)	1	℄℄r.H	-200 to 800	-328 to 1472
		0.1	℄℄r.L	-199.9 to 800.0	-199.9 to 999.9
	T(CC)	1	℄℄℄.H	-200 to 400	-328 to 752
		0.1	℄℄℄.L	-199.9 to 400.0	-199.9 to 752.0
	B(PR)	1	b P r	0 to 1800	32 to 3272
	R(PR)	1	r P r	0 to 1750	32 to 3182
	S(PR)	1	S P r	0 to 1750	32 to 3182
	N(NN)	1	n n n	-200 to 1300	-328 to 2372
	C(TT) ^{※1}	1	℄ ℄ ℄	0 to 2300	32 to 4172
	G(TT) ^{※2}	1	G ℄ ℄	0 to 2300	32 to 4172
	L(IC)	1	L ℄ ℄.H	-200 to 900	-328 to 1652
0.1		L ℄ ℄.L	-199.9 to 900.0	-199.9 to 999.9	
U(CC)	1	U℄℄.H	-200 to 400	-328 to 752	
	0.1	U℄℄.L	-199.9 to 400.0	-199.9 to 752.0	
Platinel II	1	P L I I	0 to 1390	32 to 2534	
RTD	Cu 50Ω	0.1	℄ U 5	-199.9 to 200.0	-199.9 to 392.0
	Cu 100Ω	0.1	℄ U 10	-199.9 to 200.0	-199.9 to 392.0
	JPt 100Ω	1	J P ℄ .H	-200 to 650	-328 to 1202
		0.1	J P ℄ .L	-199.9 to 650.0	-199.9 to 999.9
	DPt 50Ω	0.1	d P ℄ .5	-199.9 to 600.0	-199.9 to 999.9
	DPt 100Ω	1	d ℄ ℄ .H	-200 to 650	-328 to 1202
		0.1	d P ℄ .L	-199.9 to 650.0	-199.9 to 999.9
Nickel 120Ω	1	n i 12	-80 to 200	-112 to 392	
Analog	Voltage	0-10V	R u 1	-1999 to 9999 (Display point will be changed according to decimal point position)	
		0-5V	R u 2		
		1-5V	R u 3		
		0-100mV	R ñ u 1		
	Current	0-20mA	R ñ R 1		
		4-20mA	R ñ R 2		

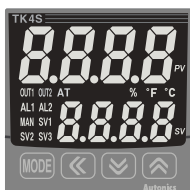
※1: C(TT): Same as existing W5 (TT) type sensor

※2: G(TT): Same as existing W(TT) type sensor

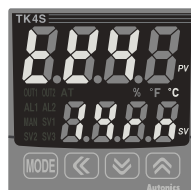
Front panel display when power is ON

When power is supplied, display will flash for 1 sec. Afterwards, model name and input sensor type will flash twice and then enter into RUN mode.

1. Whole display part



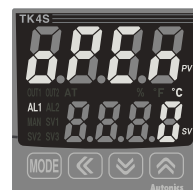
2. Model type display



3. Input sensor type display



4. Run mode



High Accuracy Standard PID Control

■ Factory default

● SV setting [Sv]

Parameter	Factory default
Sv	0

● Password input parameter

Parameter	Factory default
PASS	0001

● Parameter 1 group [PAR-1]

Parameter	Factory default	Parameter	Factory default	Parameter	Factory default	Parameter	Factory default
r-s	rUn	AL1H	1550	AL3H	1550	Sv-3	0000
Sv-n	Sv-0	AL2L	1550	Sv-0	0000	/	
Ct-A	00	AL2H	1550	Sv-1	0000		
AL1L	1550	AL3L	1550	Sv-2	0000		

● Parameter 2 group [PAR-2]

Parameter	Factory default	Parameter	Factory default	Parameter	Factory default	Parameter	Factory default
AL	oFF	H-d	0000	HoSt	000	rAnU	000
H-P	0100	C-d	0000	CHYS	002	rAnd	000
C-P	0100	db	0000	CoSt	000	rUnt	nIn
H-1	0000	rEst	0500	L-nu	+1000	/	
C-1	0000	HHYS	002	H-nu	1000		

● Parameter 3 group [PAR-3]

Parameter	Factory default	Parameter	Factory default	Parameter	Factory default	Parameter	Factory default
In-t	ECRH	H-SC	1000	o-Ft	HEAt (standard)	o15r	Stnd
Un-t	oC	dUn-t	oPo		H-C (heating & cooling)	o1nR	4-20
L-rG	0000	In-b	0000	C-n-d	PId (standard)	oUt2	CUr r
H-rG	1000	nRuF	000.1		P.P (heating & cooling)	o2nR	4-20
dot	00	L-Sv	-200	At-t	tUn1	H-t	0200 (relay)
L-SC	0000	H-Sv	1350	oUt1	CUr r	C-t	0000 (SSR drive)

● Parameter 4 group [PAR-4]

Parameter	Factory default	Parameter	Factory default	Parameter	Factory default	Parameter	Factory default
AL-1	duCC	A2n	no	LbAt	0000	bP5	96
AL1t	AL-R	A2on	0000	LbAb	002(003 ^{*1})	PrtY	nonE
ALHY	001	A2oF	0000	Roñ1 (Ro-ñ ^{*1})	Pu	StP	2
ALn	no	AL-3	oFF	F5L1 (F5-L ^{*1})	-200	r5Yt	20
ALon	0000	AL3t	AL-R	F5H1 (F5-H ^{*1})	1350	CoñY	EnR
ALoF	0000	A3HY	001	Roñ2	Pu	/	
AL-2	JJdu	A3n	no	F5L2	-200		
AL2t	AL-R	A3on	0000	F5H2	1350		
A2HY	001	A3oF	0000	Adr5	01		

● Parameter 5 group [PAR-5]

Parameter	Factory default	Parameter	Factory default	Parameter	Factory default	Parameter	Factory default
n-tSv	1	Pr-nu	0000	LC5u	oFF	LCPS	oFF
dl-t	StoP	Er-nu	0000	LCPI	oFF	Pud	0000
dl-1	oFF (StoP ^{*1})	St-nu	0000	LCPI2	oFF	/	
dl-2	oFF (ALrE ^{*1})	StAL	Con-t	LCPI3	oFF		
lt-nu	RUto	USEr	Stnd	LCPI4	oFF		

※ shaded parameters are only for the new model.

※1: This parameter is for previous models.

(A) Photo electric sensor

(B) Fiber optic sensor

(C) Door/Area sensor

(D) Proximity sensor

(E) Pressure sensor

(F) Rotary encoder

(G) Connector/Socket

(H) Temp. controller

(I) SSR/Power controller

(J) Counter

(K) Timer

(L) Panel meter

(M) Tacho/Speed/Pulse meter

(N) Display unit

(O) Sensor controller

(P) Switching mode power supply

(Q) Stepper motor& Driver&Controller

(R) Graphic/Logic panel

(S) Field network device

(T) Software

(U) Other

Alarm

Alarm operation

Mode	Name	Alarm operation	Description
OFF	—	—	No alarm output
dULC	Deviation high-limit alarm	<p>High deviation: Set as 10°C High deviation: Set as -10°C</p>	If deviation between PV and SV as high-limit is higher than set value of deviation temperature, the alarm output will be ON.
]]dU	Deviation low-limit alarm	<p>Lower deviation: Set as 10°C Lower deviation: Set as -10°C</p>	If deviation between PV and SV as low-limit is higher than set value of deviation temperature, the alarm output will be ON.
]]dUL	Deviation high/low-limit alarm	<p>Lower deviation: Set as 10°C, High deviation: Set as 20°C</p>	If deviation between PV and SV as high/low-limit is higher than set value of deviation temperature, the alarm output will be ON.
[dU]	Deviation high/low-limit reserve alarm	<p>Lower deviation: Set as 10°C, High deviation: Set as 20°C</p>	If deviation between PV and SV as high/low-limit is higher than set value of deviation temperature, the alarm output will be OFF.
PULC	Absolute value high limit alarm	<p>Absolute-value Alarm: Set as 90°C Absolute-value Alarm: Set as 110°C</p>	If PV is higher than the absolute value, the output will be ON.
]]PU	Absolute value low limit alarm	<p>Absolute-value Alarm: Set as 90°C Absolute-value Alarm: Set as 110°C</p>	If PV is lower than the absolute value, the output will be ON.
LbA	Loop break Alarm	—	It will be ON when it detects loop break.
SbA	Sensor break Alarm	—	It will be ON when it detects sensor disconnection.
HbA	Heater break alarm	—	It will be ON when CT detects heater break.

※ H: Alarm output hysteresis [R□HY]

Alarm option

Mode	Name	Description
RL - A	Standard alarm	If it is an alarm condition, alarm output is ON. If it is a clear alarm condition, alarm output is OFF.
RL - b	Alarm latch	If it is an alarm condition, alarm output is ON and maintains ON status.
RL - C	Standby sequence1	First alarm condition is ignored and from second alarm condition, standard alarm operates. When power is supplied and it is an alarm condition, this first alarm condition is ignored and from the second alarm condition, standard alarm operates.
RL - d	Alarm latch and standby sequence1	If it is an alarm condition, it operates both alarm latch and standby sequence. When power is supplied and it is an alarm condition, this first alarm condition is ignored and from the second alarm condition, alarm latch operates.
RL - E	Standby sequence2	First alarm condition is ignored and from second alarm condition, standard alarm operates. When re-applied standby sequence and if it is alarm condition, alarm output does not turn ON. After clearing alarm condition, standard alarm operates.
RL - F	Alarm latch and standby sequence2	Basic operation is same as alarm latch and standby sequence1. It operates not only by power ON/OFF, but also alarm setting value, or alarm option changing. When re-applied standby sequence and if it is alarm condition, alarm output does not turn ON. After clearing alarm condition, alarm latch operates.

※ Condition of re-applied standby sequence for standby sequence 1, alarm latch and standby sequence 1: Power ON
 Condition of re-applied standby sequence for standby sequence 2, alarm latch and standby sequence 2: Power ON, changing set temperature, alarm temperature[RL 1, RL 2] or alarm operation[RL - 1, RL - 2], switching STOP mode to RUN mode.

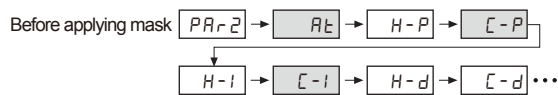
High Accuracy Standard PID Control

■ Functions

⊙ Parameter mask (★)

- This function is able to hide unnecessary parameters to user environment or less frequently used parameters in parameter setting group. You can set this in the integrated device management program (DAQMaster).
- Though masked parameters are not displayed in parameter setting group, the parameter setting values are applied. For more information, refer to the DAQMaster user manual.
- Visit our website (www.autonics.com) to download the DAQMaster program and the user manual.

※Ex)The above is masking auto tuning[*A t*], cooling proportional band[*C - P*], cooling integral time[*C - I*], cooling derivative time[*C - d*] parameters in parameter 2group.

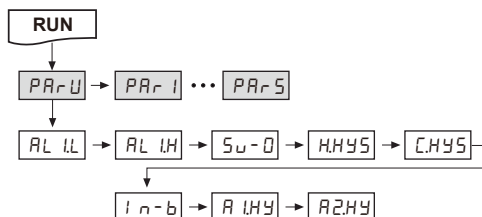


※This function is for new model.

⊙ User parameter group[*PAR U*] setting (★)

- This function is able to set the frequently used parameters to the user parameter group. You can quickly and easily set parameter settings.
- User parameter group can have up to 30 parameters in the integrated device management program (DAQMaster). For more information, refer to the DAQMaster user manual.
- Visit our website (www.autonics.com) to download the DAQMaster program and the user manual.

Ex)The above is setting user parameter group in the DAQMaster with alarm output 1 low-limit value [*AL L*], alarm output 1 high-limit value [*AL H*], SV-0 set value [*SV - 0*] parameter of parameter 1 group, heating hysteresis[*H HYS*], cooling hysteresis [*C HYS*] parameters of parameter 2 group, input correction[*I n - b*] parameter of parameter 3 group, alarm output 1 hysteresis [*A 1 HYS*], alarm output 2 hysteresis [*A 2 HYS*] parameters of parameter 4 group.



※This function is for new model.

⊙ Auto tuning [*A t*]

In PID control, auto-tuning determines the control subject's thermal characteristics and thermal response rate, and then determines the necessary PID time constant. Application of the PID time constant realizes fast response and high precision temperature control.

- Auto-tuning automatically stores PID time constants upon termination. These PID time constants can then be modified by the user to suit their usage environment.
- When auto-tuning is in progress, the AT lamp located on the front of the controller flashes in 1 second intervals. When auto-tuning finishes, the AT lamp automatically goes off and the auto-tuning parameter will return to OFF.

Setting value	Descriptions
oFF	Auto tuning end
oN	Auto tuning run

Setting group	Parameter	Set range	Factory default	Unit
PAR 2	A t	oFF / oN	oFF	-

※Manual interruption or a sensor disconnection error when auto-tuning is in progress restores the PID time constant to the value used prior to the auto-tuning session.

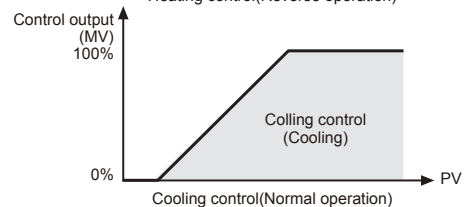
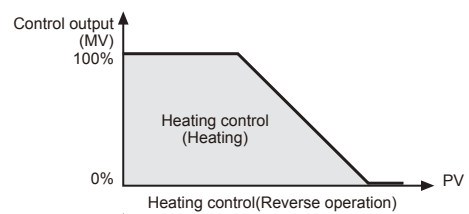
※Auto-tuning continues to run even if the temperature reading exceeds or falls below the input range.

※When auto-tuning is in progress, parameters can only be referenced and not altered.

※Auto-tuning is not available in manual control.

⊙ Control output operation mode [*o - F t*]

- Control output modes for general temperature control include heating, cooling, and heating and cooling.
- Heating control and cooling control are mutually opposing operations with inverse outputs.
- The PID time constant varies based on the controlled objects during PID control.



Setting group	Parameter	Set range	Factory default	Unit
PAR 3	o - F t	Standard model HEAt / CoOL	HEAt	-
		Heating & Cooling model HEAt / CoOL / H - C	H - C	-

(A) Photo electric sensor

(B) Fiber optic sensor

(C) Door/Area sensor

(D) Proximity sensor

(E) Pressure sensor

(F) Rotary encoder

(G) Connector/Socket

(H) Temp. controller

(I) SSR/Power controller

(J) Counter

(K) Timer

(L) Panel meter

(M) Tacho/Speed/Pulse meter

(N) Display unit

(O) Sensor controller

(P) Switching mode power supply

(Q) Stepper motor & Driver & Controller

(R) Graphic/Logic panel

(S) Field network device

(T) Software

(U) Other

⊙ Heating control [HEAT]

Heating control mode: the output will be provided in order to supply power to the load (heater) if PV (Present Value) falls below SV (Setting Value).

⊙ Cooling control [COOL]

Cooling control mode: the output will be provided in order to supply power to the load (cooler) if PV (Present Value) rises above SV (Setting Value).

⊙ Heating and cooling control [H-5C]

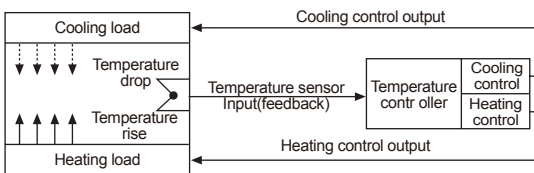
Heating and cooling control mode: heating and cooling with a single temperature controller when it is difficult to control subject temperature with only heating or cooling.

Heating and cooling control mode controls the object using different PID time constants for each heating and cooling.

It is also possible to set heating and cooling control in both PID control or ON/OFF control mode.

Heating/cooling output can be selected among Relay output, SSR output and current output depending on model types chosen according to your application environment.

(Note that only standard SSR control is available for SSR output in OUT2.)



※ For heating and cooling control, OUT1 control output is dedicated to heating control and OUT2 control output to cooling control.

⊙ Control output (OUT1/OUT2) selection [OUT1/OUT2]

• In case of selecting the Models with current control output, both current and SSR outputs are available. You can therefore choose the right output type depending on application environments.

- OUT1: Selects OUT1 control output.
- OUT2: Selects OUT2 control output.

Setting group	Parameter	Set range	Factory default	Unit
PAR3	OUT1	SSR/CUR	SSr	—
	OUT2			

⊙ For more information, refer to the user manual.

■ Proper usage

⊙ Simple "Error" diagnosis

• When the load (Heater etc) is not operated

Please check operation of the OUT lamp located in front panel of the unit.

If the OUT lamp does not operate, please check the parameter of all programmed mode.

If lamp is operating, please check the output (Relay, SSR drive voltage) after separating output line from the unit.

• When it displays $\alpha P E n$ during operation

This is a warning that external sensor is open.

Please turn off the power and check the wire state of the sensor. If sensor is not open disconnect sensor line from the unit and short the input +, - terminal. Turn on the power of the unit and check the controller displays room temperature.

If this unit cannot display room temperature, this unit is broken. Please remove this unit and contact our service center. (When the input mode is thermocouple, it is available to display room temperature.)

• In case of indicating "Error" in display

This Error message is indicated in case of damaging inner chip program data by outer strong noise.

In this case, please send the unit to our after service center after removing the unit from system.

Noise protection is designed in this unit, but it does not stand up strong noise continuously. If bigger noise than specified (Max. 2kV) flows in the unit, it can be damaged.

⊙ Caution for using

- Please use separated line from high voltage line or power line in order to avoid inductive noise.
- Please install power switch or circuit-breaker in order to cut power supply off.
- The switch or circuit-breaker should be installed near by users.
- This unit is designed for temperature controlling only. Do not apply this unit as a voltage meter or a current meter.
- In case of using RTD sensor, 3-wire type must be used. If you need to extend the line, 3-wires must be used with the same thickness as the line. It might cause temperature difference if the resistance of line is different.
- In case of making power line and input signal line close, line filter for noise protection should be installed at power line and input signal line should be shielded.
- Keep away from the high frequency instruments. (High frequency welding machine & sewing machine, big capacitive SCR controller)
- Installation environment
 - It shall be used indoor.
 - Altitude Max. 2000m.
 - Pollution Degree 2
 - Installation Category II.